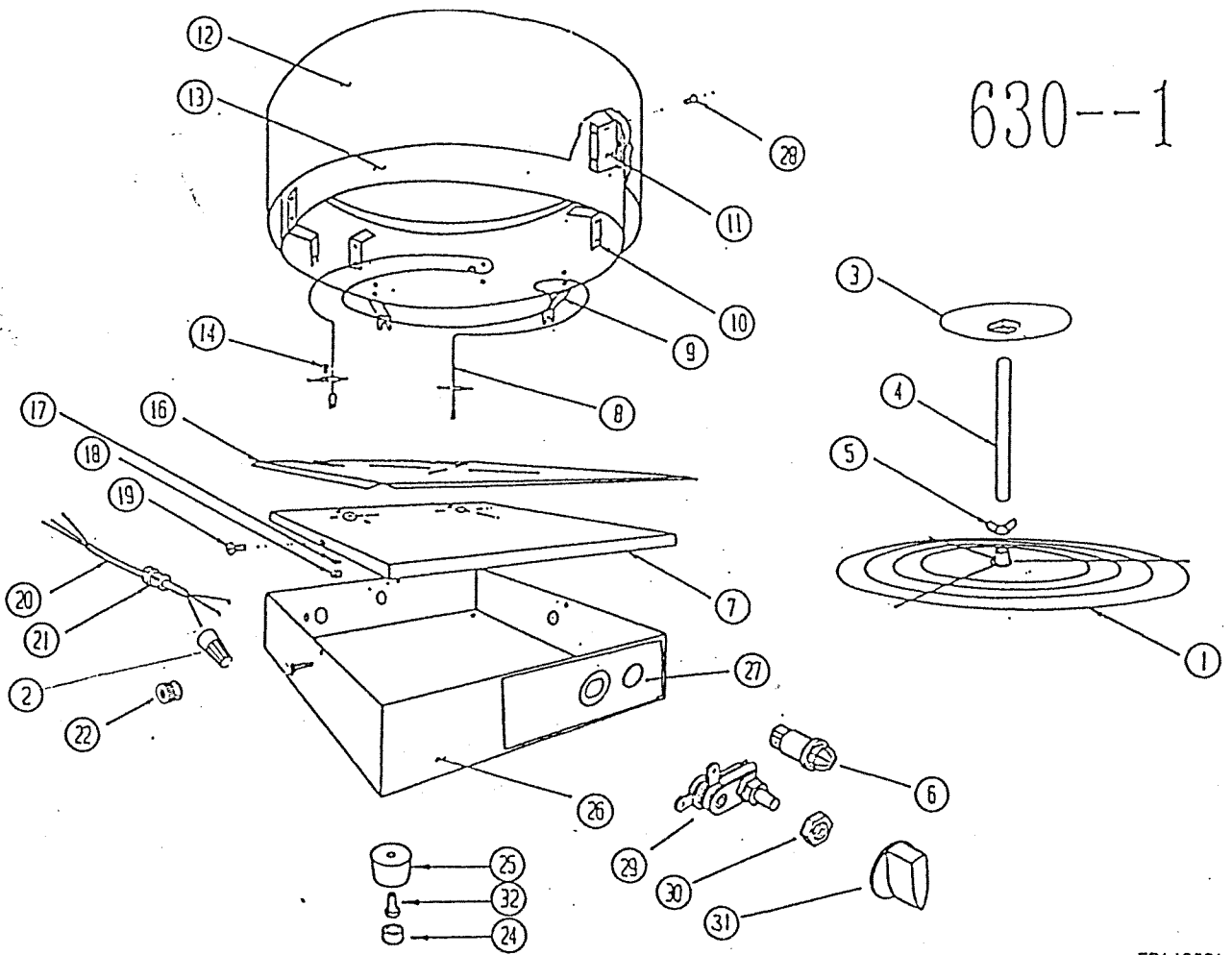


630--1



FPI40081

PARTS LIST.

Misc.630 LE:10

KEY	Q.	DESCRIPTION.	PART NO:	KEY	Q.	DESCRIPTION.	PART NO:
1	1	GRILL.	0016002	17	3	# 10 LOCK WASHER.	009124
2	2	WIRE NUT.	00140	18	3	# 10-24 HEX NUT.	00142
3	1	DISK, / WELD NUT.	0016003	19	7	# 8 X 3/8 SHT.M.SCR.	00150
4	1	3/8-16 THREADED ROD.	0016011	20	1	POWER CORD.	00448
5	1	3/8-16 WING NUT.	0016009	21	1	STRAIN RELIEF.	0016024
6	1	PILOT LIGHT.	09092	22	3	THUMB NUT.	00116
7	1	COVER.	0016006	23			
8	1	CALROD ELEMENT.	0016000	24	4	RUBBER INSERT	00475
9	3	BRACKET.	0016016	25	4	FEET.	0018032
10	3	BRACKET GRILL.	0016017	26	1	CASE	0016215
11	3	Z-FLANCHE.	0016029	27	1	630-1 CONTROL DECAL.	ID13154
12	1	OUTER SHROUD.	0016019	28	2	RIVET 1/8" X 5/32" LG.	00469
13	1	INNER SHROUD.	0016008	29	1	THERMOSTAT ASSEMBLY.	0016037
14	3	10-24 X3/8RH .SCR.	00151	30	1	THERMOST.NUT	↑
15				31	1	THERMOST.KNOB.	00100
16	1	CLEANOUT TRAY.	0016018	32	4	#8 X 3/4 PHIL..PAN. HD. SCR.	008223